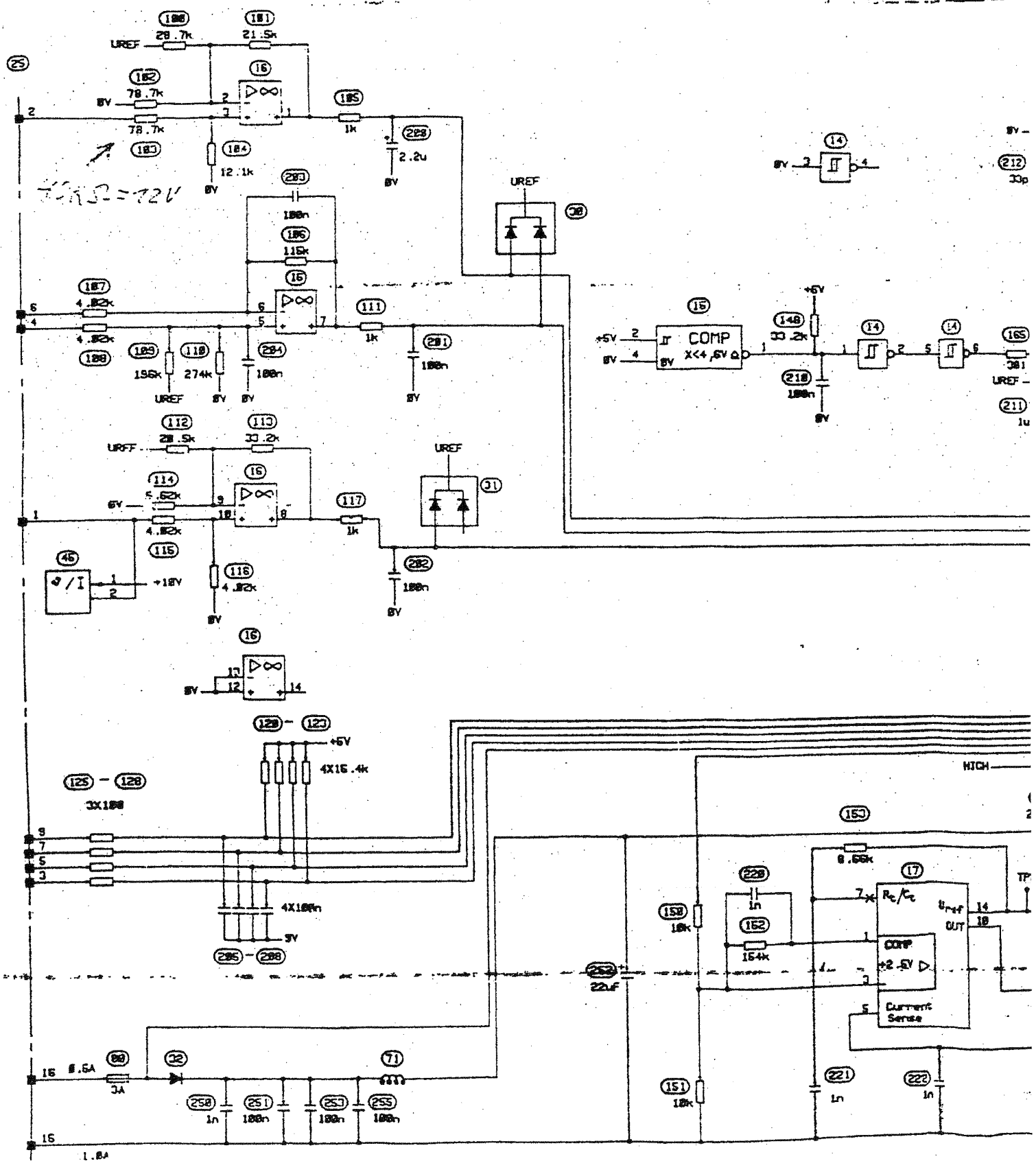
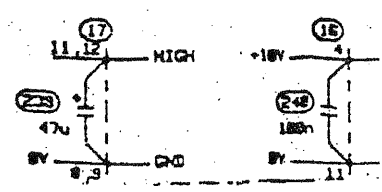
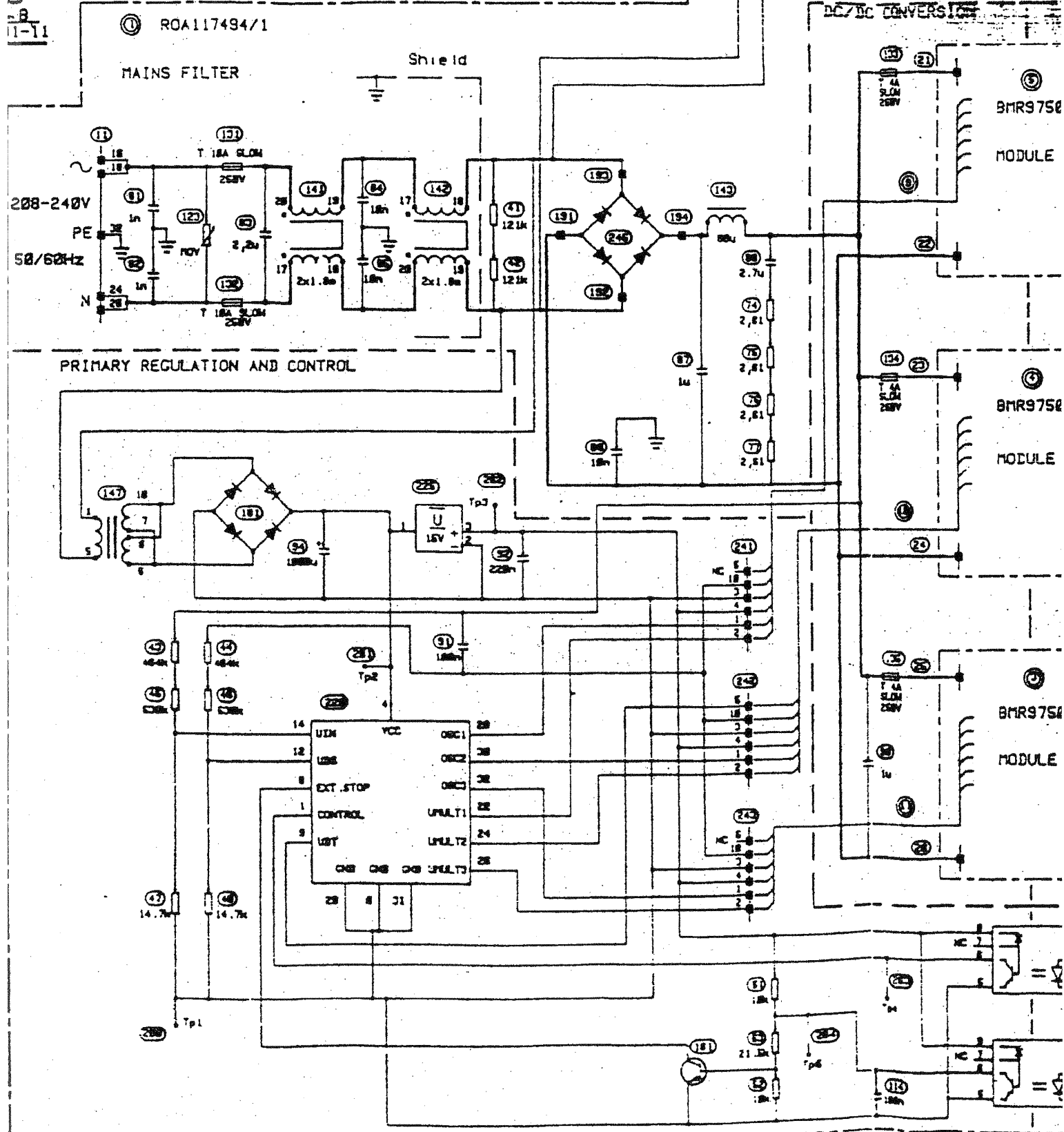


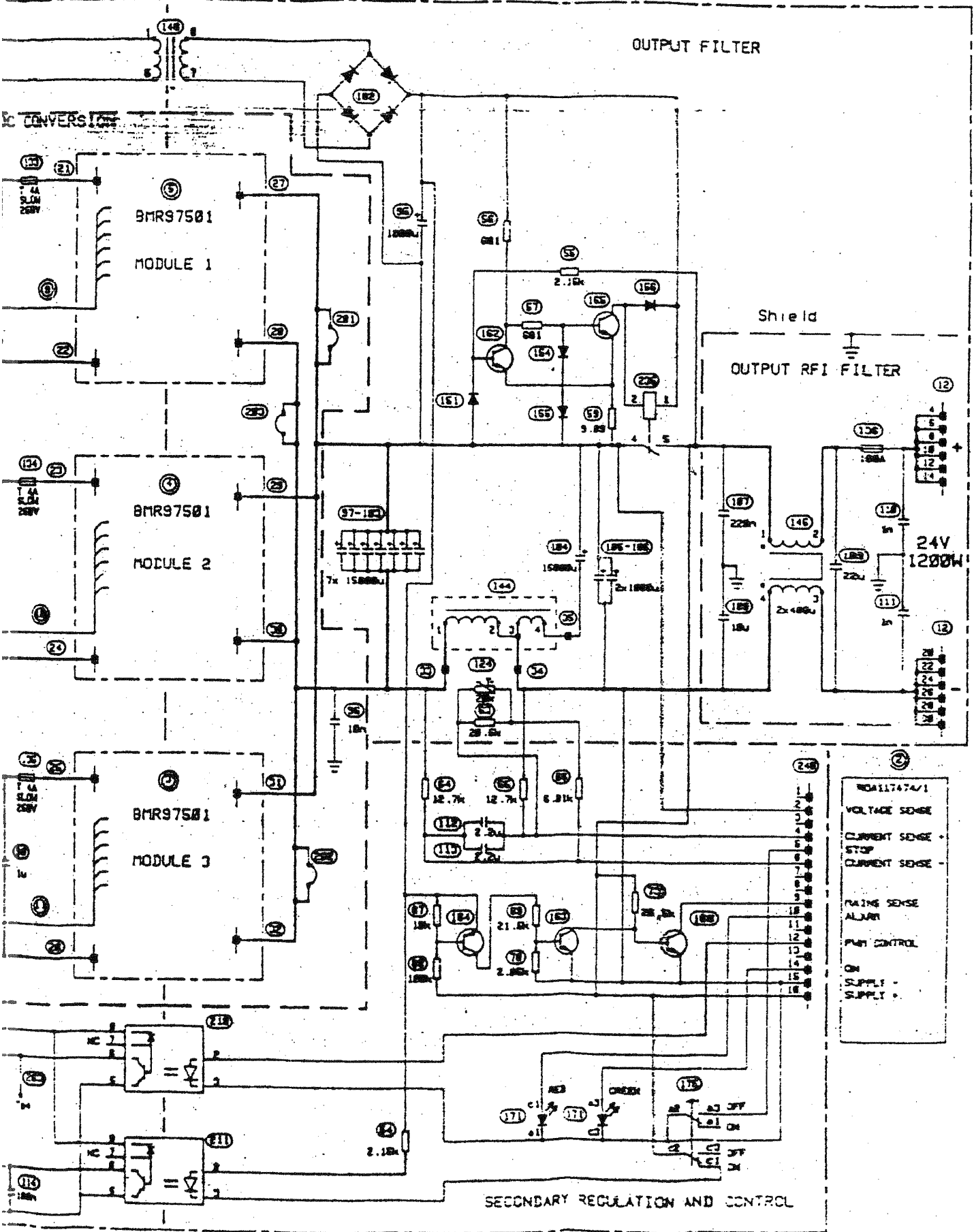
| | | | | | |
|------------------|--|-------------|--------------------------|-------------------|--|
| EKA/K/DKU HEA | | EKA/K/DKU | | 1911-ROA117474 Ux | |
| EKA/K/TMKC 9012 | | 21-Dec-90 A | | | |
| KRETSKORT | | | PRINTED CIRCUIT ASSEMBLY | | |
| STYRKORT EEM/RBS | | | CONTROLBOARD EEM/RBS | | |



| | |
|-------------------------|---------------------------------------|
| KA/K/DLL ROJ EKA/K/DLL | 1911-BML435002/1 Ux |
| KA/K/DAT | See Below 1911-BML435002 0 |
| KRETSKORT Likriktare | PRINTED CIRCUIT ASSEMBLY Rectifier |
| | 8ZZ 207 01 |

SINGLE POSRING IS ON ROA117494/1
DOUBLE POSRING IS ON S/L435002/1

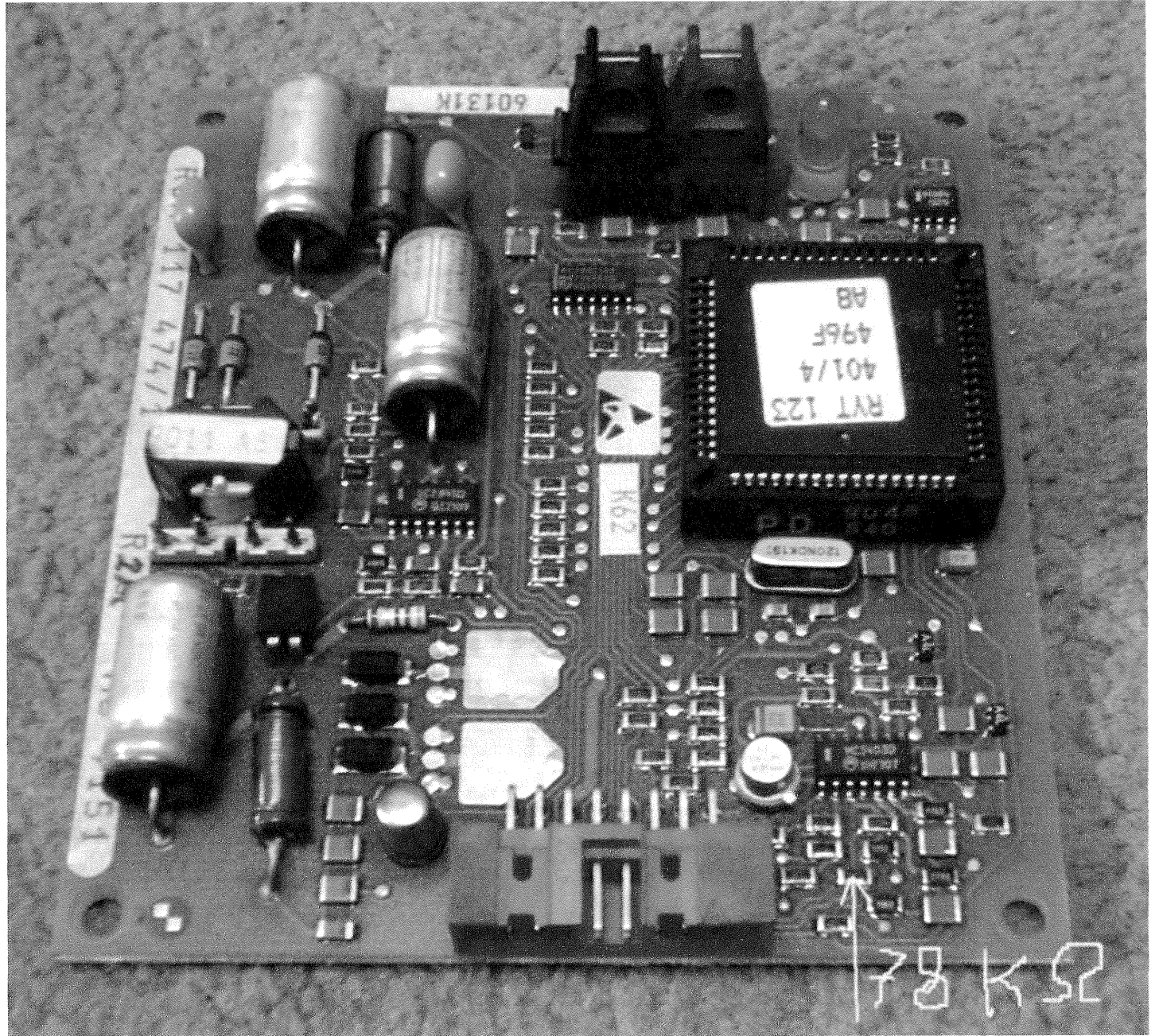




RCA117494/1

| | |
|---------------|----|
| VOLTAGE SENSE | 1 |
| CURRENT SENSE | 2 |
| STOP | 3 |
| CURRENT SENSE | 4 |
| PAUSE SENSE | 5 |
| ALARM | 6 |
| PWM CONTROL | 7 |
| ON | 8 |
| SUPPLY | 9 |
| SUPPLY | 10 |

4



RVT 123
401/4
496F
A8

K62

60131A

R1
117 474/1

R2

R51

78K5